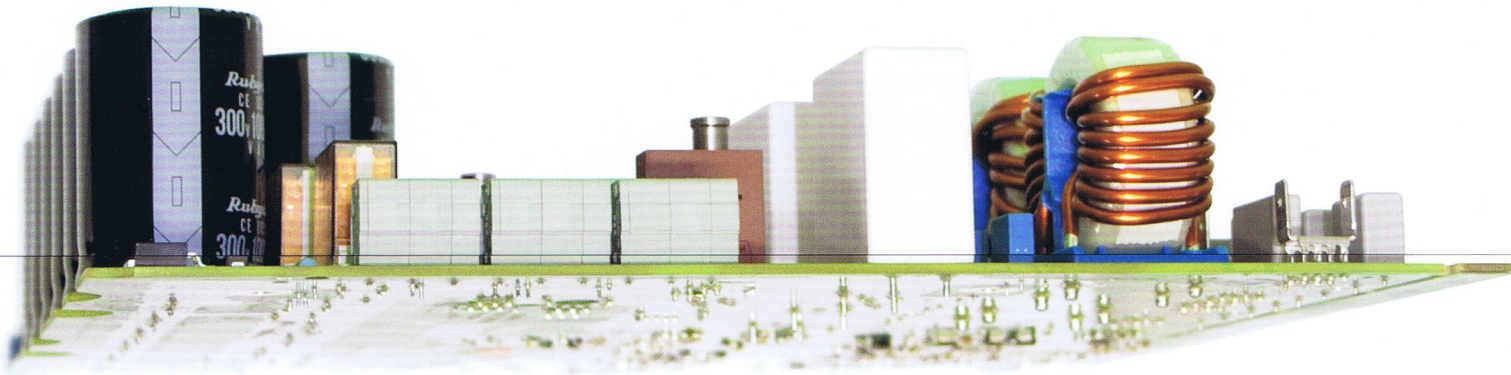
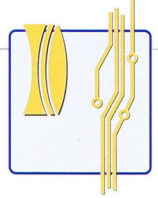




AOI for THT Manufacturing

Assure Quality & Increase Efficiency



Technical Data – Component Side Inspection

- Field of view: 21mm x 27mm to 45mm x 36mm
- Inspection height: up to 80mm
- PCB clearance: up to 80mm
- Resolution (orthogonal inspection): 10,5µm to 35µm
- Resolution (angled-view inspection): 10,5µm to 21µm

Technical Data – Solder Side Inspection

- Field of view: 21mm x 27mm to 42mm x 42mm
- Inspection height: up to 30mm
- Component clearance: up to 50mm
- Resolution (orthogonal inspection): 10,5µm to 21µm



ISO 9001 certified

GOPEL electronic GmbH
 Goeschwitzer Str. 58/60
 07745 Jena / Germany
 Tel.: +49 (0)-36 41-6896-0
 Fax: +49 (0)-36 41-6896-944
 E-Mail: sales@goepel.com
 Internet: www.goepel.com

Authorised Distributor:

GOPEL electronics Ltd.
 Unit 1A, The Old Granary
 Westwick
 Cambridge
 CB24 3AR/UK
 Phone: +44 (0)-1223-858-298
 Fax: +44 (0)-1223-858-299

GOPEL electronic GmbH
 3 allée des rochers/EUROPARC
 9400 Créteil/France
 Tél.: +33 (0)-64 51-51 393
 Fax: +33 (0)-14 39-91 966



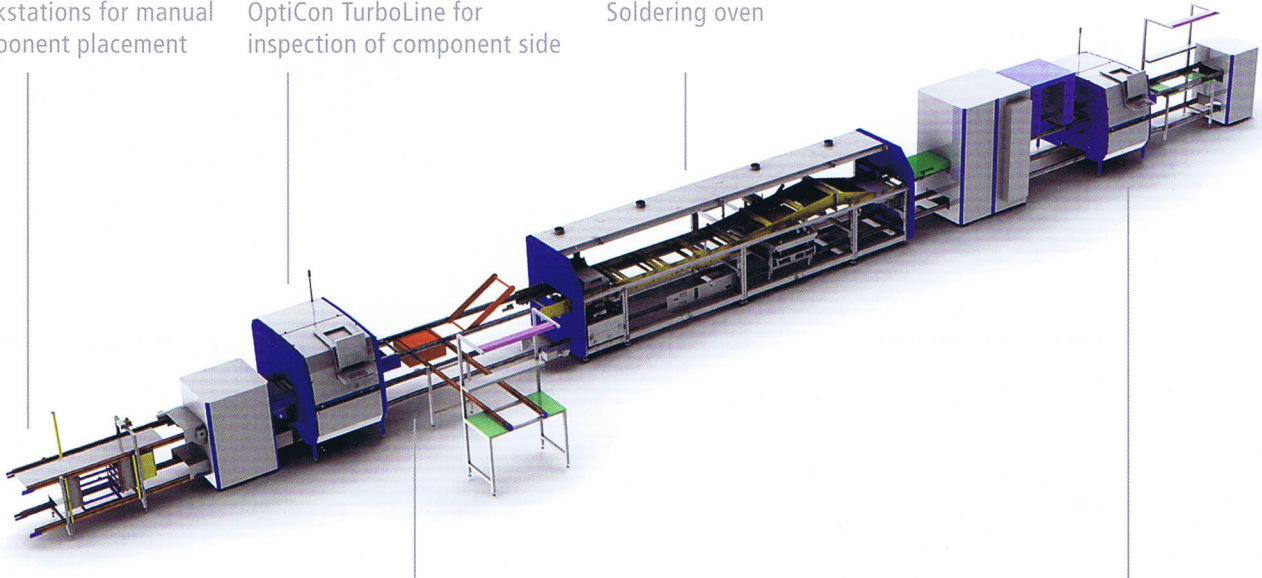
- No requirement to flip the PCB
- Double-sided inspection in one system
- Modularly configurable
- Full AOI functionality for top and bottom side inspection
- Upgradeability of all components

OptiCon TurboLine (standard version)

Workstations for manual component placement

OptiCon TurboLine for inspection of component side

Soldering oven



Return of empty carriers

OptiCon TurboLine for inspection of solder side (and component side)

Example of a production line in cooperation with ERSa GmbH and haprotec GmbH



haprotec
GmbH
system - automation

- Short handling times by means of 3 segment conveyor module
- Boards can be inspected with or without carrier
- Line integration with accumulation or belt conveyor possible
- Return of empty carriers for efficient in-line production



OptiCon TurboLine with accumulation conveyor and carrier return